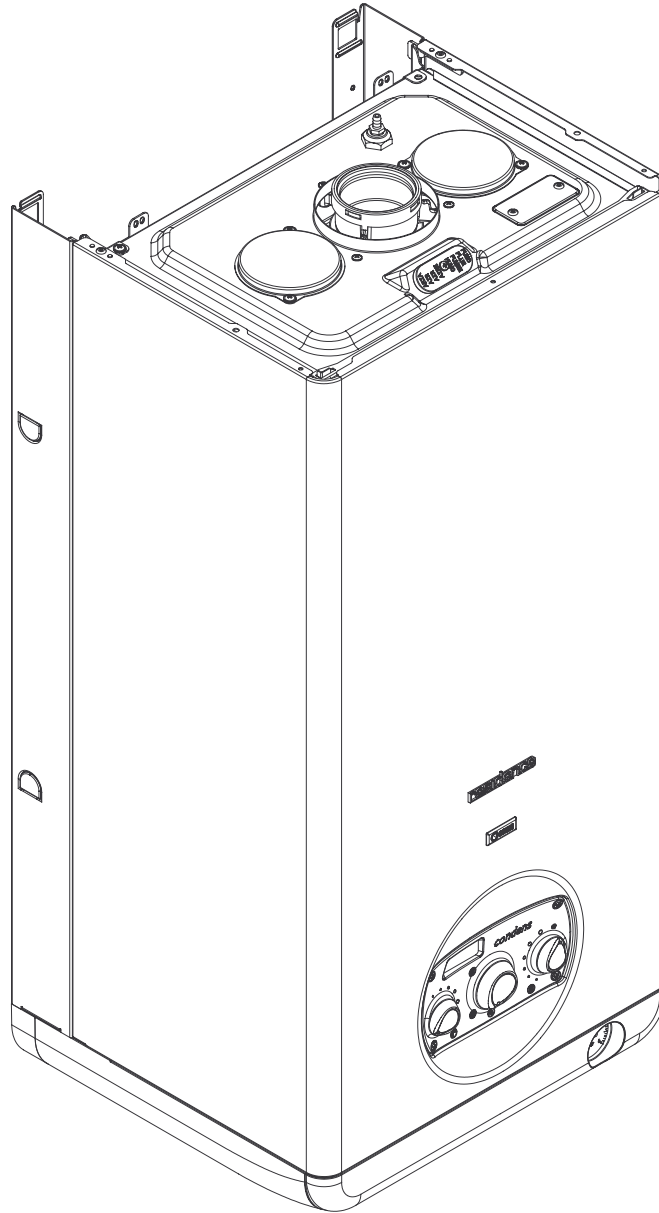
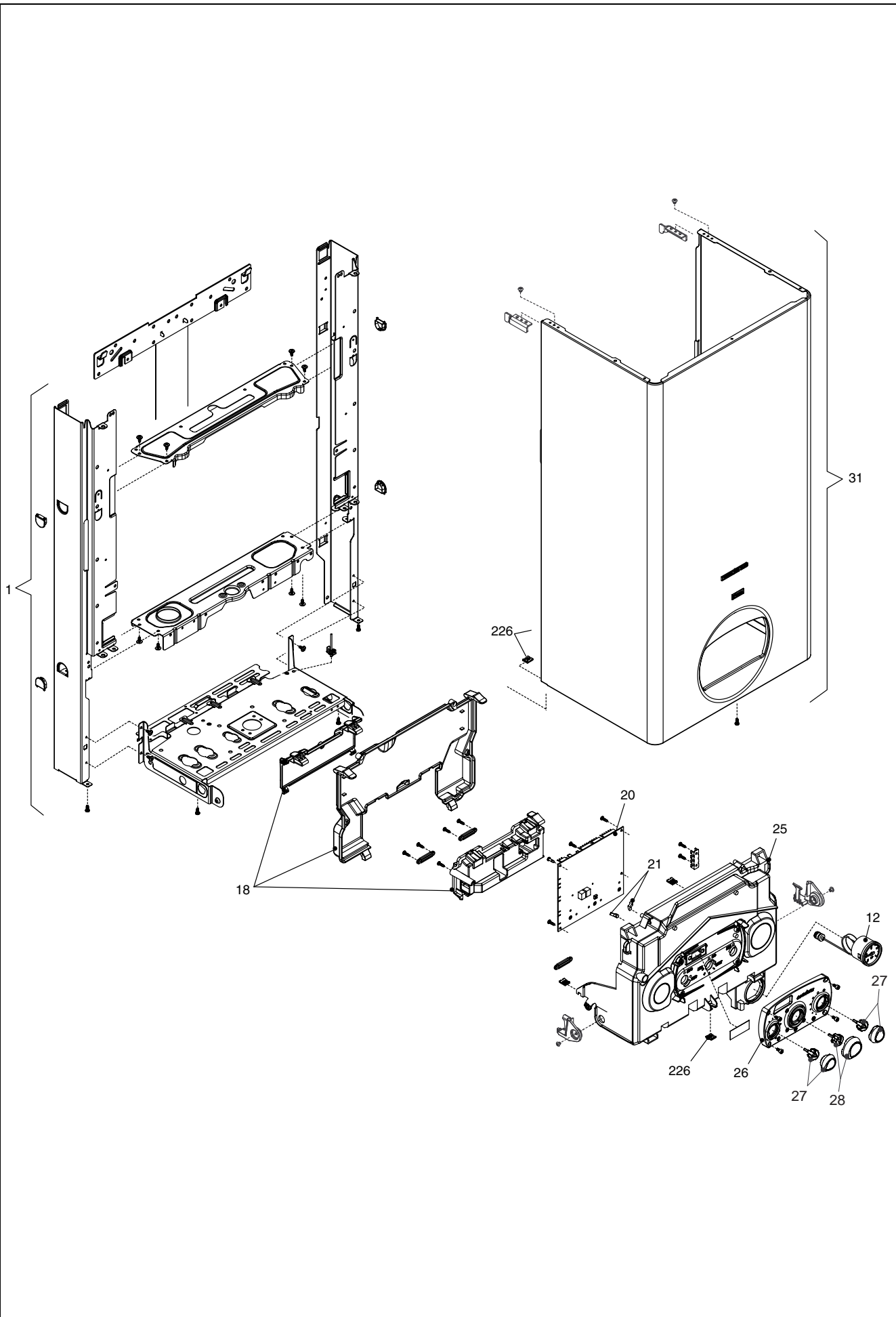


Wall hung boilers

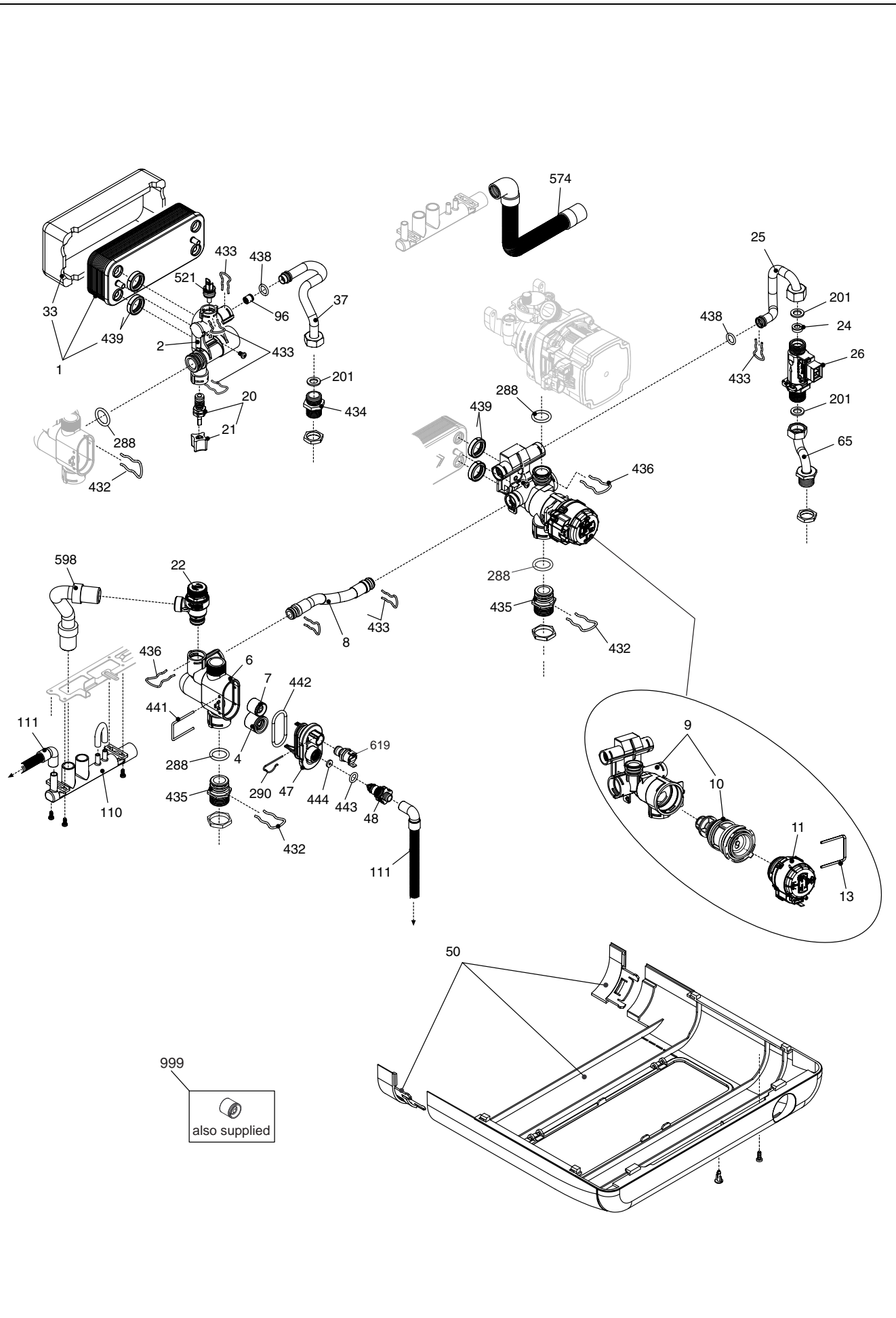
Residence Condens 25 KIS n



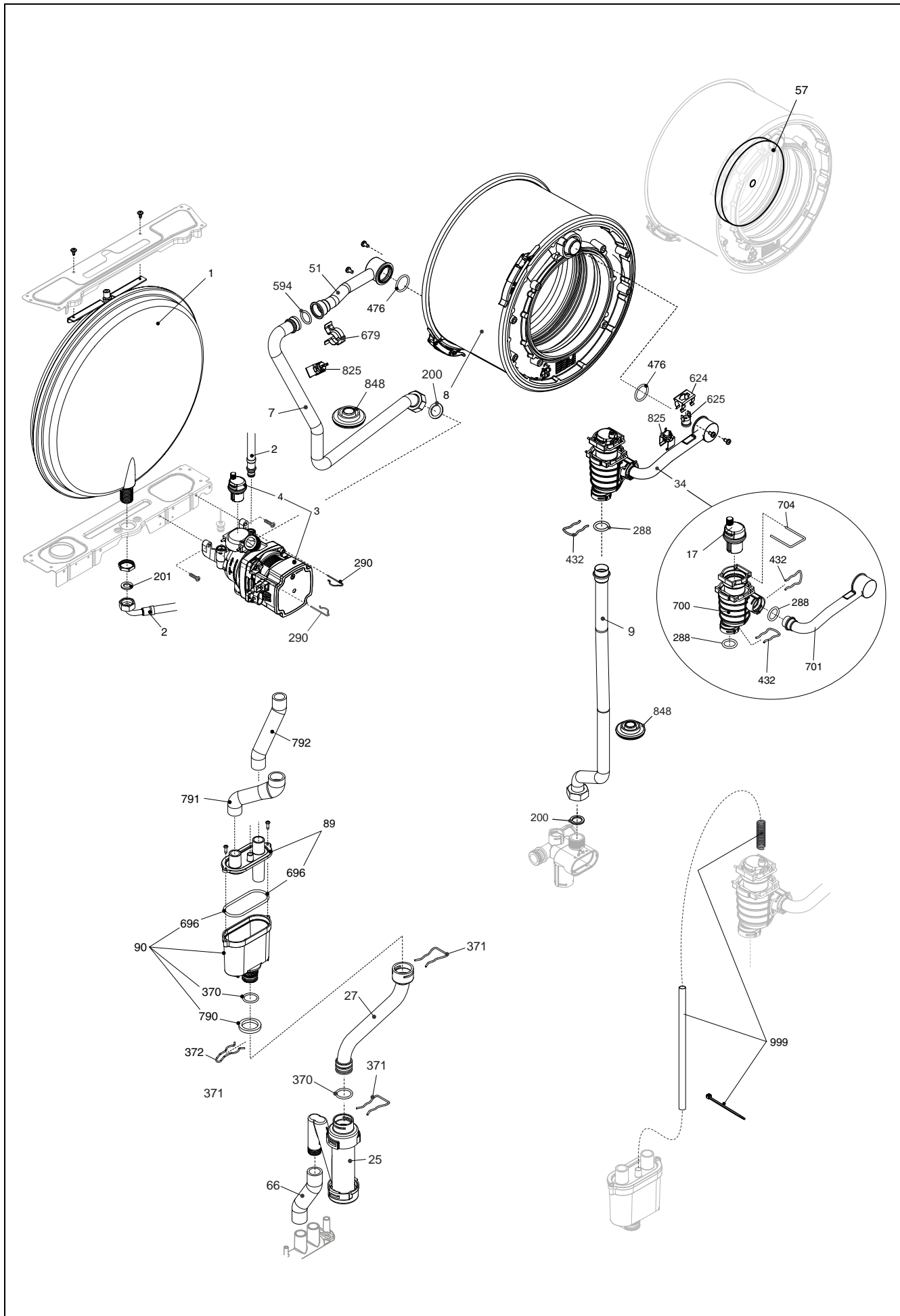
MODEL	PART NUMBER	
	MTN	GPL
Residence Condens 25 KIS n	20106861 (P9P)	-



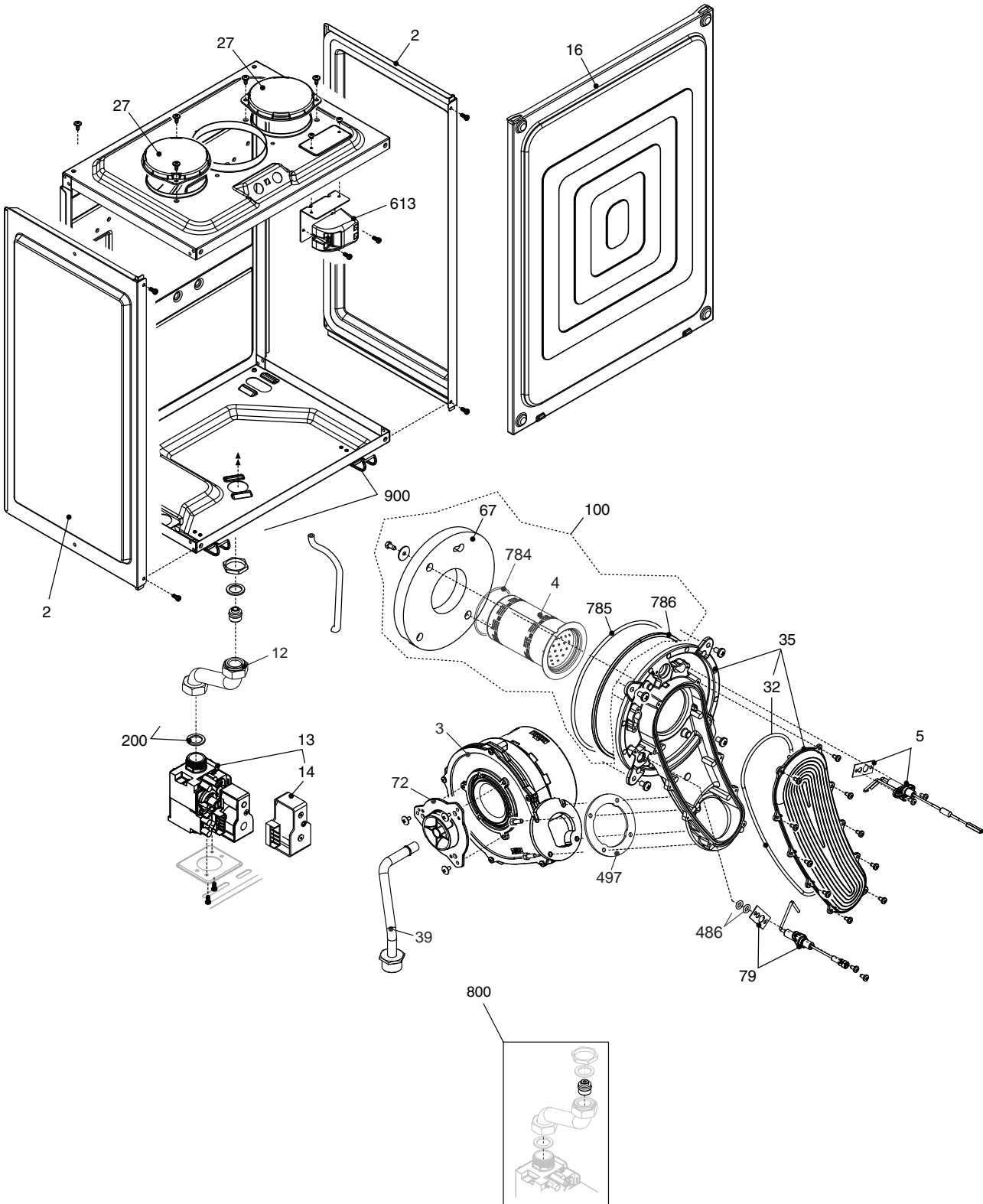
POS.	DESCRIPTION	25Kis
1	Frame	4366022
12	Pressure gauge	4364942
18	Cover assembly	4366331
20	Printed circuit board	4366954
21	Led light guide	4366333
25	Instrumental plate	4366334
26	Instrumental panel	4366364
27	Knob	4366336
28	Knob	4366337
31	Case	4366345
226	Clip	4363594



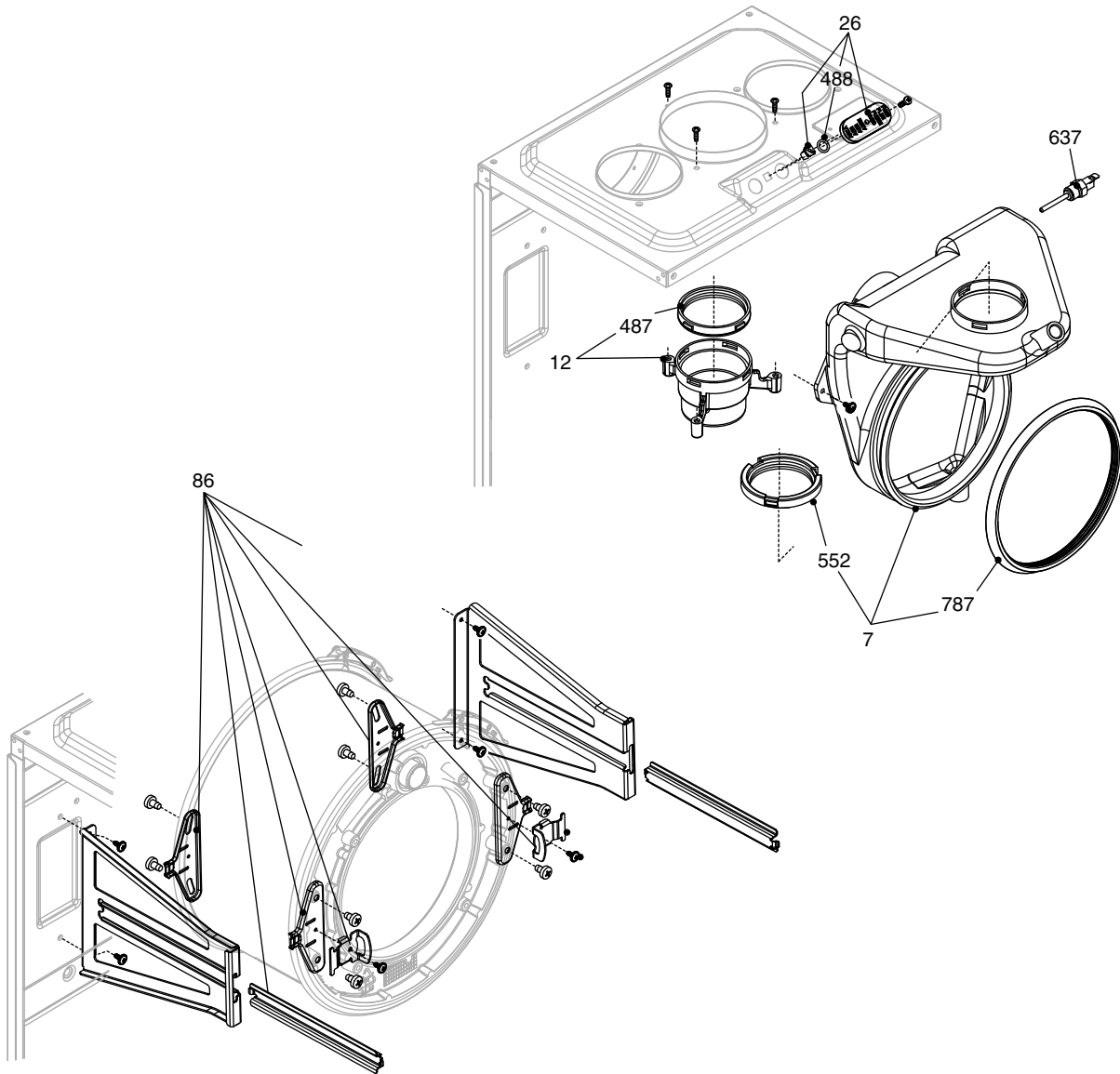
POS.	DESCRIPTION	25Kis
1	Exchanger	4364201
2	Hydraulic group	4365951
4	Non return valve	4365749
6	By-pass casing	4365750
7	High head by-pass valve	4365043
8	Pipe	4365732
9	Valve with cartridge	4366914
10	Cartridge	4R001062
11	Actuator	4366916
13	Clip	4366918
20	Filling cock	4R001342
21	Knob	4R001617
22	Safety valve	4R001077
24	Flow governor	4365898
25	Pipe	4365733
26	Dhw actuator	4R100477
33	Insulator	4365537
37	Pipe	4366329
47	Cover for by-pass assembly	4365753
48	Cock	4365752
50	Cover assembly	4366011
65	Pipe	4365736
96	Non return valve	4366134
110	Condensing collector	4365850
111	Flexible pipe	4365927
200	Washer	4363389
201	Washer	4363391
288	O ring	4364282
290	Clip	4364751
432	Clip	4365623
433	Clip	4365761
434	Nipple	4365762
435	Fitting/union	4365763
436	Clip	4365764
438	O ring	4365766
439	Washer	4365767
441	Clip	4365768
442	O ring	4365769
443	O ring	4365770
444	Washer	4365771
521	NTC sensor	4365765
574	Flexible pipe	4366295
598	Pipe	4365849
619	Pressure	4366853
999	Low head by-pass valve	4366850



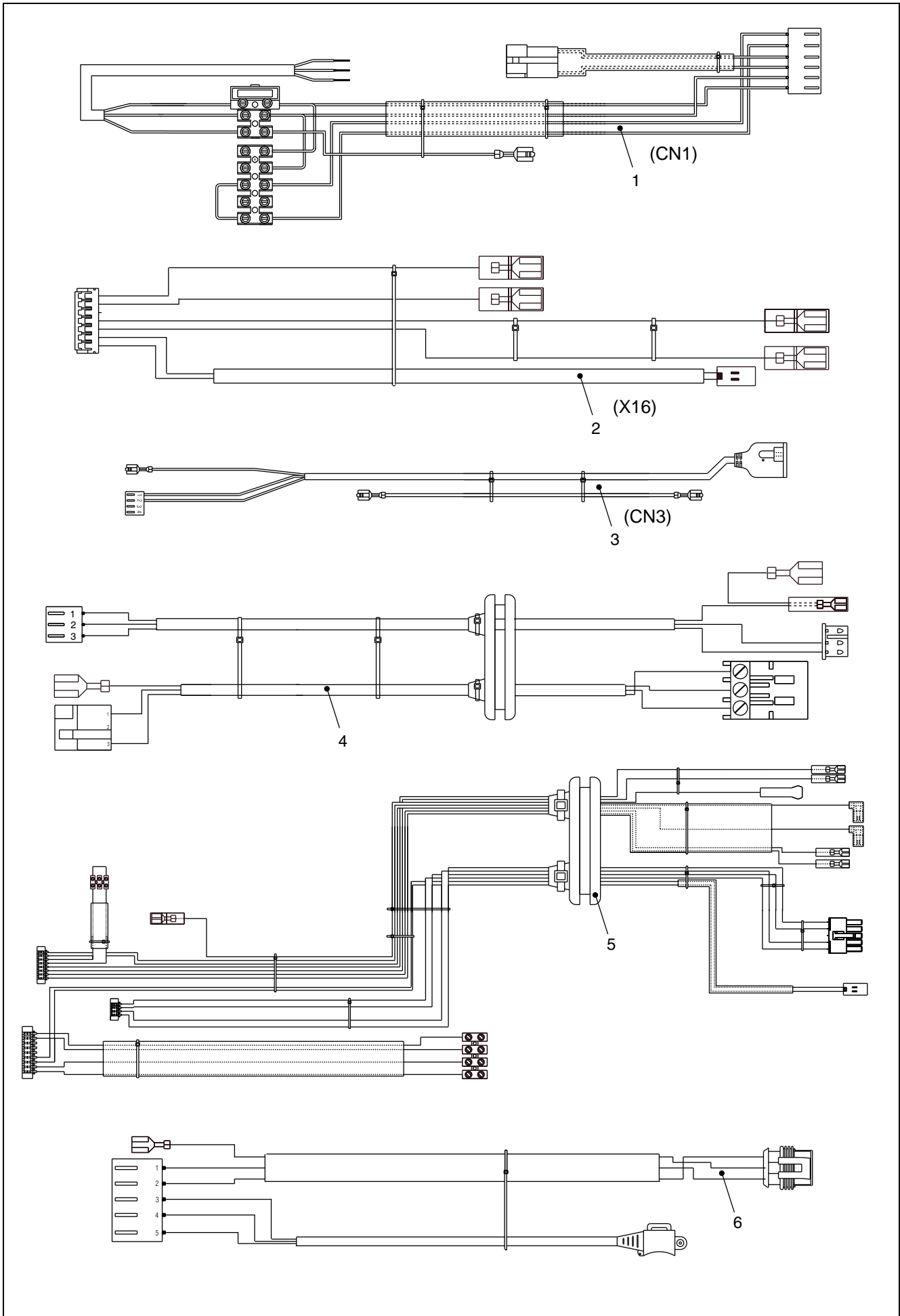
POS.	DESCRIPTION	25Kis
1	Expansion vessel	4364894
2	Pipe	4365695
3	Pump	4R102180
4	Air vent bottle	4365707
7	Pipe	4R102670
8	Condensing exchanger assembly	4R102671
9	Pipe	4R102672
17	Air vent valve	4366956
25	Siphon	4R001080
27	Condensation outlet tube kit	4R001084
34	Kit degasser + tube	4R102673
51	Pipe	4R102186
57	Retarder insulating panel	4R103233
66	Condensation outlet tube	4R103824
89	Siphon cover	4R102187
90	Siphon	4R102188
200	Washer	4363389
201	Washer	4363391
288	O ring	4364282
290	Clip	4364751
370	O ring	4365406
371	Clip	4365407
372	Clip	4365546
432	Clip	4365623
476	O ring	4365860
594	O ring	4366880
624	Clip	4363608
625	High limit thermostat	4366881
679	Clip	4367108
696	O ring	4R002119
700	Degasser kit	4R001159
701	Pipe	4R102189
704	Clip	4366963
790	O-Ring	4R102674
791	Condensation outlet tube	4R102191
792	Condensing pipe	4R102192
825	NTC Detector	4R101035
848	Fairlead	4R102675
999	Degasser connection assembly	4R102585



POS.	DESCRIPTION	25Kis
2	Air chamber side	4365865
3	Fan	4R102248
4	Burner	4R103816
5	Ignition electrode	4R102194
12	Gas pipe	4366354
13	Gas valve	4R000835
14	Gas valve solenoid	4R000824
16	Air box cover	4366355
27	Hole cover	4366888
32	Washer	4R102195
35	Air/gas manifold	4R102196
39	Pipe	4R103817
67	Washer	4R102198
72	Mixer	4366953
79	Detector electrode	4R102200
100	Burner assembly	4R103818
200	Washer	4363389
486	O ring	4366235
497	Washer	4365897
613	Ignition transformer	4366419
784	O-Ring	4R102202
785	Washer	4R102203
786	Washer	4R102204
800	Ng conversion kit	4R104187
800	LPG conversion kit	4R103820
900	Clips	4R002188



POS.	DESCRIPTION	25Kis
7	Conveyor	4R102687
12	Flue drain connection	4365881
26	Cap smoke analysis	4R101989
86	Bracket-kit	4R102680
487	Washer Ø 60	4365889
488	O ring	4364959
552	Washer Ø 60	4366238
637	Flue sensor	4366463
787	Washer Ø 160	4R102207



POS.	DESCRIPTION	25kis
1	Power wiring harness	4366343
2	Low tension cable	4R000456
3	Gas valve cable	4366341
4	Combustion-fan cable	4R102179
5	Combustion cable	4R102178
6	Hydraulic control cable	4R102182

Rev.	data	Descrizione
1.0	03/12/2015	E00120150836 : tubo scarico condensa – E00120150856 : eliminata raccorderia idraulica
2.0	09/03/2016	Aggiornato codice trasformazione mtn

RIELLO

Riello reserve the right to change the specifications without prior notice.
Consumers' statutory rights are not affected.